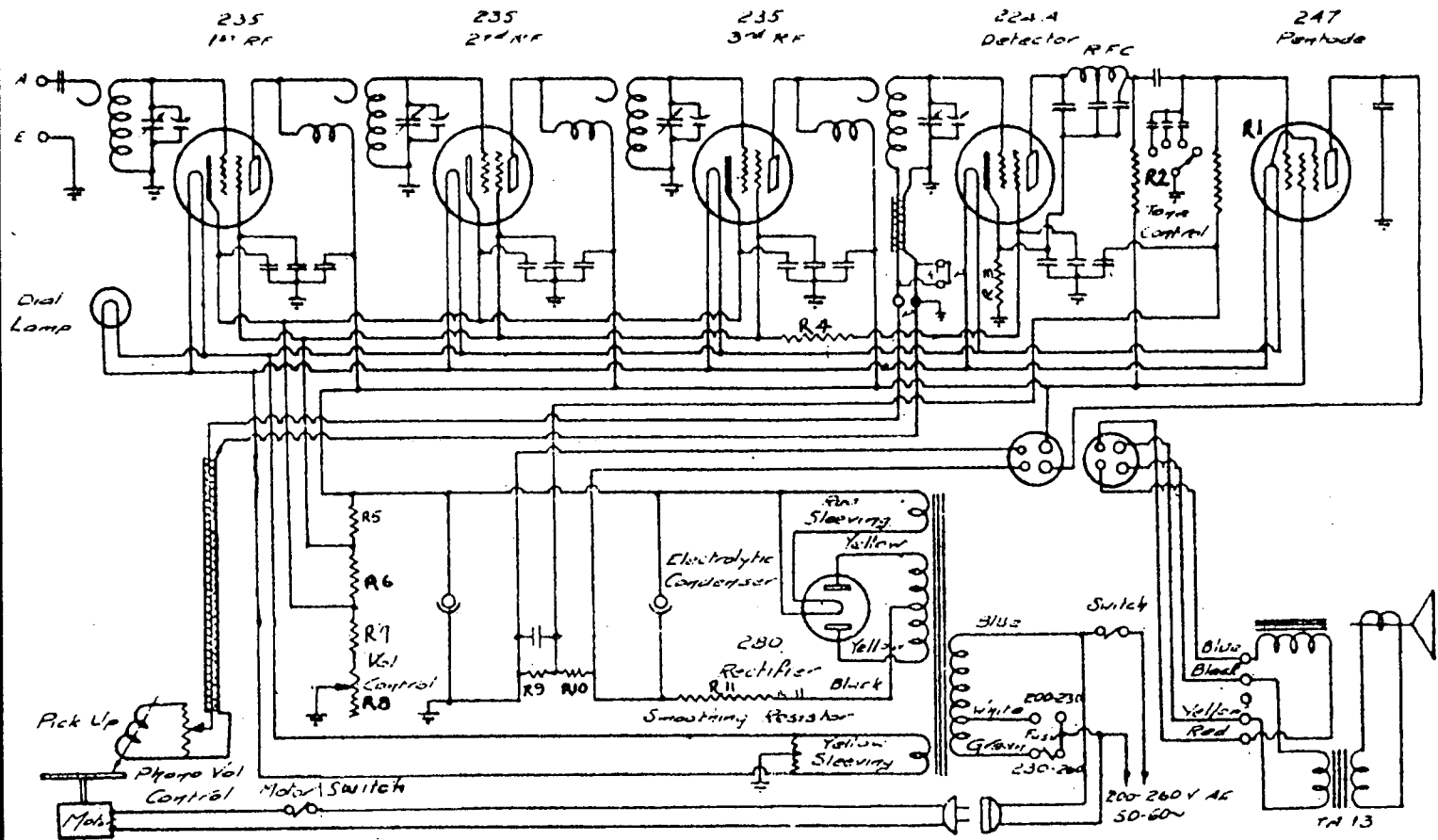


Radiola Notes



DUOFORTE 55E (MODIFIED)

R1	250,000	ohms	R5	11,000	"	R9	65,000	"
R2	250,000	"	R6	6,500	"	R10	250,000	"
R3	25,000	"	R7	80	"	R11	500	"
R4	100,000	"	R8	3,000	"				